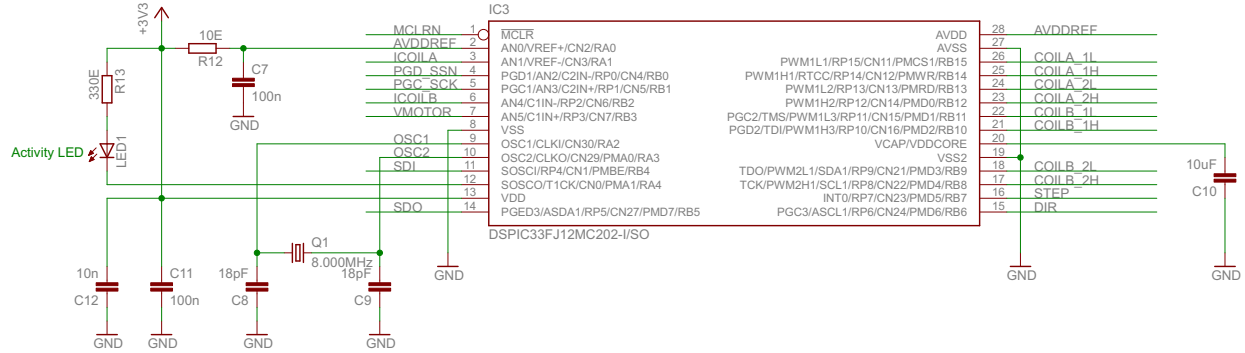
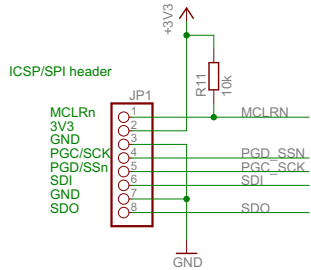
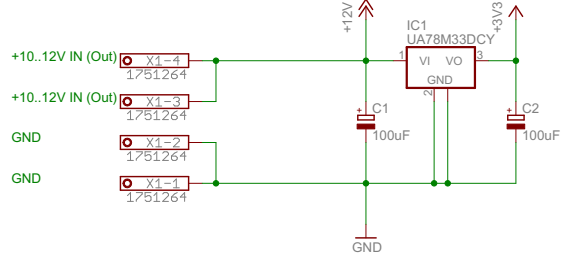
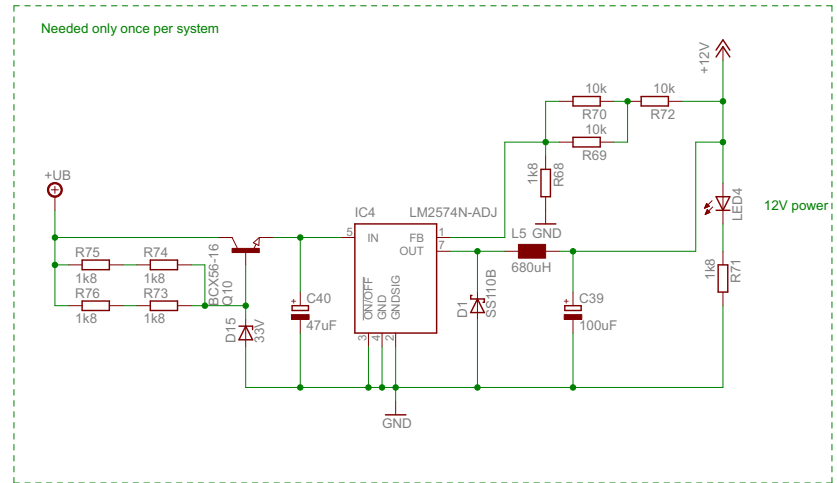
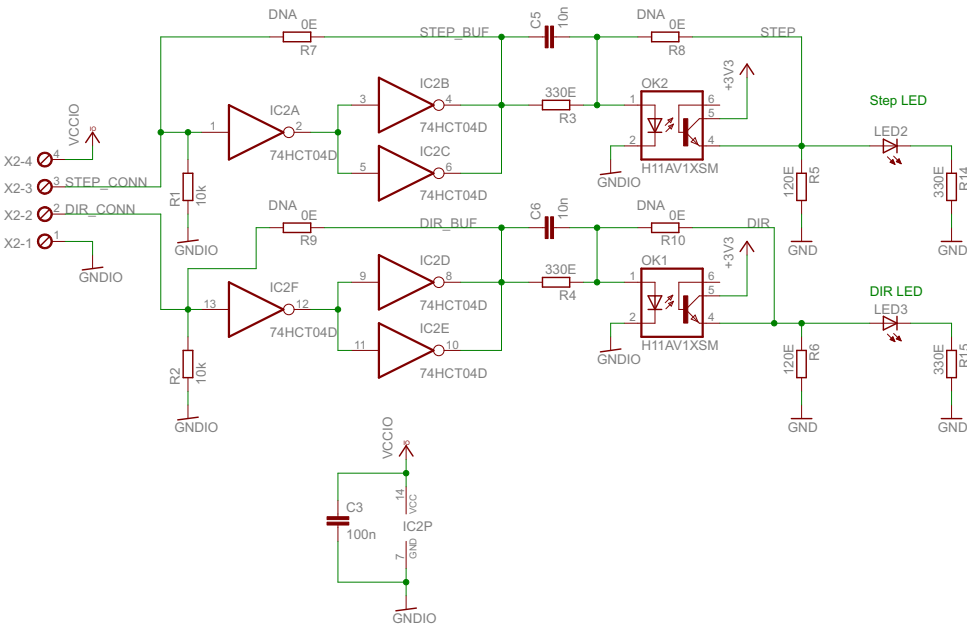


# Power and digital logic



Logic\_Vdd  
Step  
Dir  
Logic\_GND



# Coil drivers

