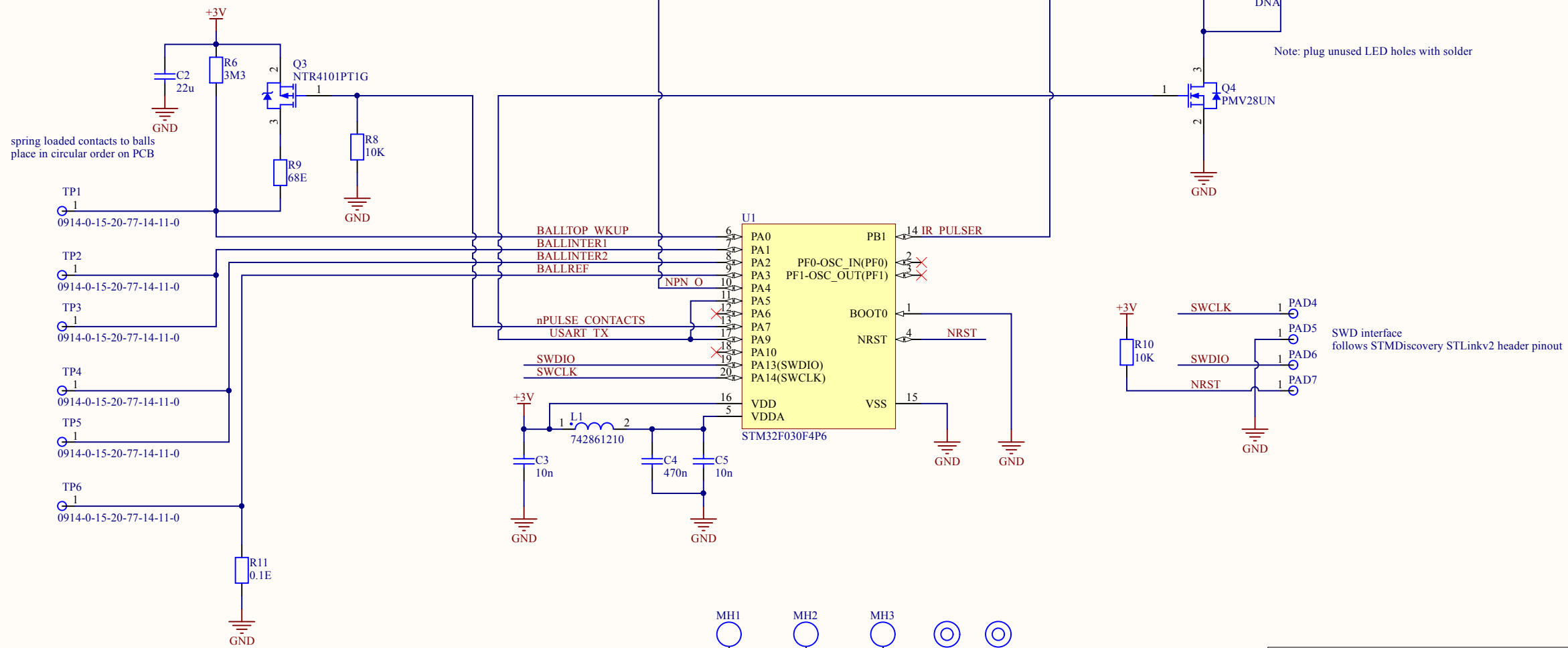
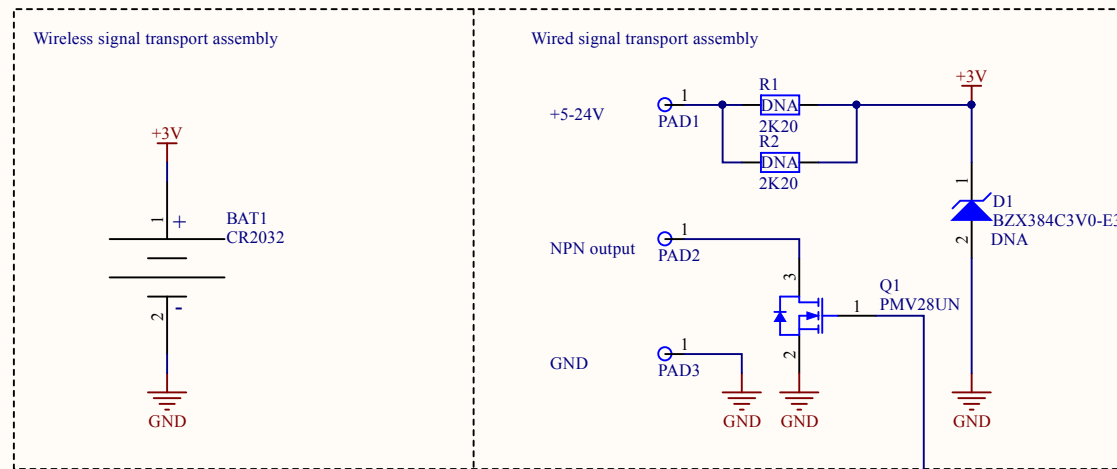


3D touch probe, probe electronics



Note: plug unused LED holes with solder

SWD interface follows STMDISCOVERY STLinkv2 header pinout

3D touch probe electronics

Customer		Assembly	
DaBit		20153DTP_2	
Size: A3	Reviewed by: N/A	Revision: v1.0	Drawn by: DaBit
Date: 8-5-2015	Sheet 1 of 1		

